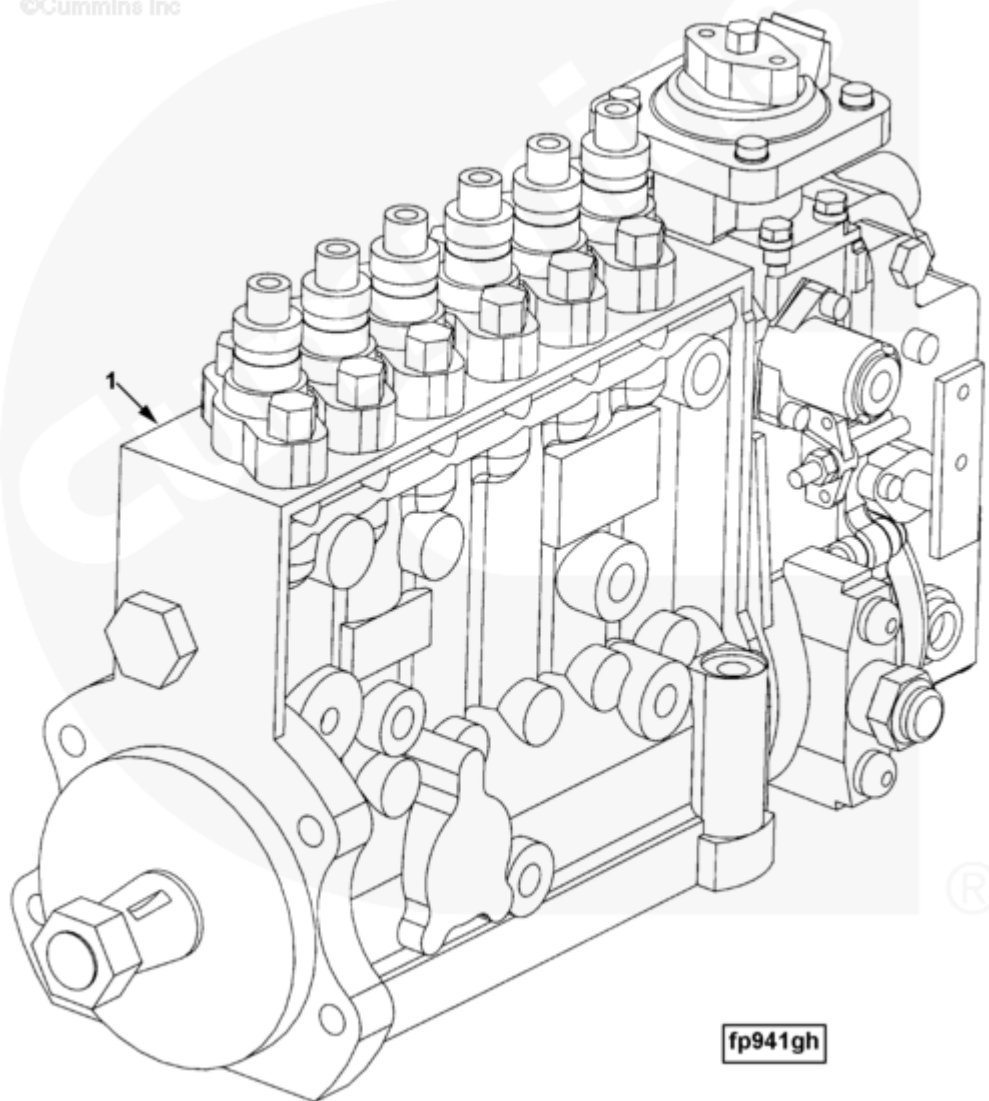




# Parts Catalog - Option Detail

Electronic Parts Catalog - Option Detail				
Option	Group	Graphic	Film Card	Date
FP98691	05.21	fp941gh	Z	12-JUN-00
<b>Engines</b>	6C8.3, C GAS PLUS CM556, G8.3, G8.3 CM558, GTA8.3 CM558, ISC CM2150, ISC CM554, ISC CM850, ISC8.3 CM2250, ISC8.3 G CM2180 C101, ISL CM2150, ISL CM554, ISL CM850, ISL G CM2180, ISL8.9 CM2150 L110, ISL8.9 CM2880 L112, ISL9 CM2150 SN, ISL9 CM2250, ISL9 CM2350 L101, ISL9 CM2350 L111, ISLE4 CM850, L GAS PLUS CM556, L8.9, L8.9 L121, L8.9G CMOH2.0 L125B, L9 CM2350 L116B, L9 CM2350 L119B, L9 CM2350 L120C, L9 CM2350 L123B, L9.3 L105, L9.5 L117, L9N CM2380 L124B, QSC8.3 CM2250, QSC8.3 CM2880 C102, QSC8.3 CM554, QSC8.3 CM850(CM2850), QSL9 CM2250, QSL9 CM2250 L115, QSL9 CM2350 L102, QSL9 CM2350 L107, QSL9 CM2350 L118, QSL9 CM2350 L122, QSL9 CM554, QSL9 CM850(CM2850), QSL9 G CM558, QSL9 M CM2250 L106, QSL9.3 CM2880 L113			




fp941gh

[SMALL](#) | [MEDIUM](#) | [LARGE](#)

Cart	Ref No	Part Number	Part Description	Required	Remarks

View My Cart

		FP98691	Base Fuel Pump		
					Engine Family: "C" Series
					Engine Cylinders: 6
					advertised HP: 255 BHP at
					1800 RPM.
					Fuel Pump Type: Inline
					Pump
					manufacturer/model:
					Bosch P3000
					High Idle: 2100
					Governor Type: RSV
					High Pressure Tube ID (mm):
					1.8 shutdown device: Manual
					Shutoff lever design:
					Direct link
					LDA Provision: Yes
					Compatible Fuel Rating:
					FR90726
					CPL: 2833
					Certified By: EPA, Lr nox
					requirements of the
					International Maritime
					Organization (IMO) Marpol
					73/78 Annex VI, Regulation
					13.
					Peak Power: 201
					Governor Break: 1925
					Governor Regulation (%):
					16.6

	1	<a href="#">4019861</a>	Fuel Injection Pump	1	
---	---	-------------------------	---------------------	---	--

© 2019 Cummins Inc., Box 3005, Columbus, IN 47202-3005 U.S.A.  
Terms of Use and Disclaimers | Recommended System Requirements  
Need Assistance? Please click on the Contact Us button in the top right corner of any page.